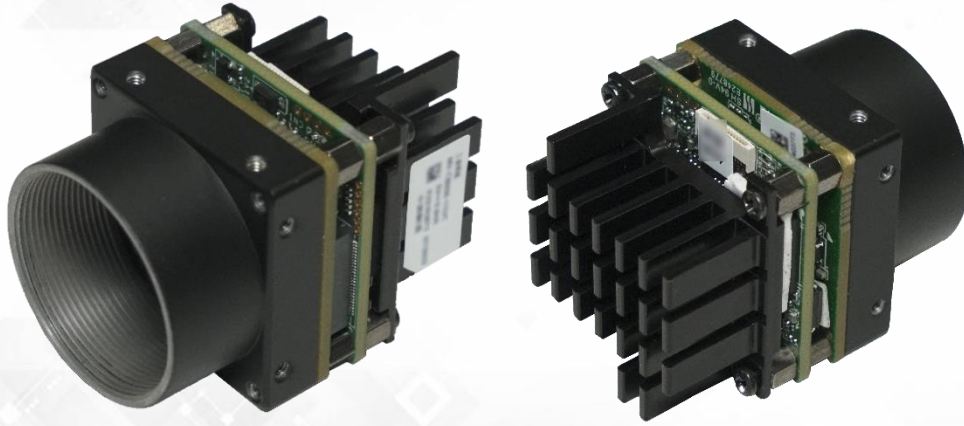


MV-CB050-11UC-C

5.0 MP 2/3" CMOS USB3.0 Board Level Camera



GEN<i>i</i>CAM

USBTM
VISION

Introduction

MV-CB050-11UC-C camera adopts Sony® IMX264 sensor to provide high-quality images. It uses USB3.0 interface to transmit non-compressed images in real time, and its max. frame rate can reach 60 fps in full resolution. With compact design and USB3.0 transmission via high-speed FPC connector, the camera can meet different spatial requirements.

Key Feature

- USB3.0 supports FPC connection to meet limited spatial requirements.
- Supports sensor and mainboard separation for complex spatial requirements.
- Supports auto or manual adjustment for gain, exposure time, white balance, LUT, Gamma correction, etc.
- Adopts image interpolation algorithm for color reproduction.
- Compatible with USB3 Vision Protocol, GenICam Standard, and third-party software based on protocol and standard.

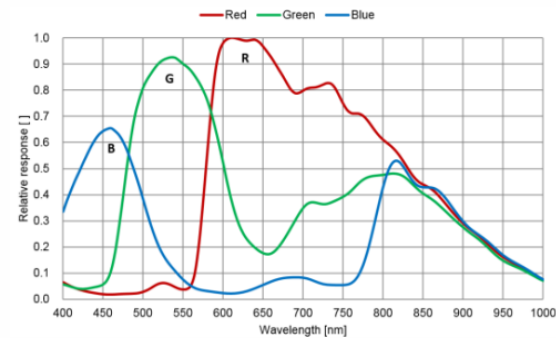
Available Model

MV-CB050-11UC-C

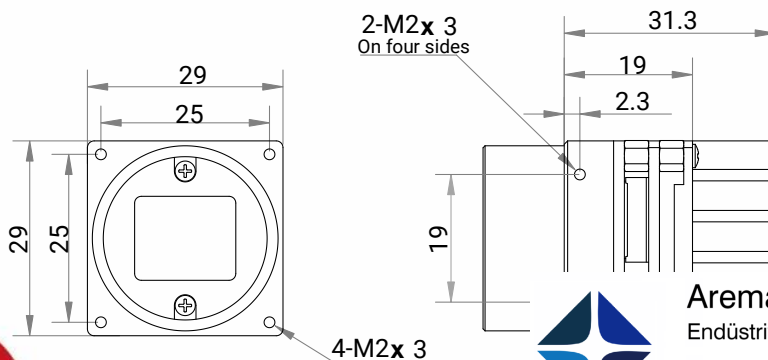
Applicable Industry

3D application, semiconductor, etc.

Sensor Quantum Efficiency



Dimension



Aremaç Biliřim Teknolojileri
Endüstriyel Görüntü İřleme Çözümleri

Adres: ODTÜ Teknokent Biliřim ve İnovasyon Merkezi,
Mustafa Kemal Mahallesi, Dumlupınar Bulvarı No:280G,
İç Kapı No:1260, Çankaya, Ankara/Türkiye

W: www.aremak.com.tr
E: shop@aremak.com.tr
T: +908502551506



Specification

Model	MV-CB050-11UC-C
Performance	
Sensor type	CMOS, global shutter
Sensor model	Sony® IMX264
Pixel size	3.45 µm × 3.45 µm
Sensor size	2/3"
Resolution	2448 × 2048
Max. frame rate	60 fps @2448 × 2048
Dynamic range	72 dB
SNR	40.2 dB
Gain	0 dB to 24 dB
Exposure time	UltraShort exposure mode: 1 µs to 14 µs Standard exposure mode: 15 µs to 10 sec
Exposure mode	Off/Once/Continuous exposure mode
Mono/color	Color
Pixel format	Mono 8/10/12, Bayer RG 8/10/10Packed/12/12Packed, YUV422Packed, YUV422_YUYV_Packed, RGB 8, BGR 8
Binning	Supports 1 × 1, 2 × 2, 4 × 4
Decimation	Supports 1 × 1, 2 × 2
Reverse image	Supports horizontal and vertical reverse image output
Electrical feature	
Data interface	USB3.0, compatible with USB2.0
Digital I/O	Bi-directional non-isolated I/O × 2 (Line 2, Line 5)
Power supply	5 VDC (USB3.0 provides power supply)
Power consumption	Typ. 2.8 W @5 VDC (USB3.0 provides power supply)
Mechanical	
Lens mount	C-Mount
Dimension	29 mm × 29 mm × 31.3 mm (1.1" × 1.1" × 1.2")
Weight	Approx. 37 g (0.08 lb.)
Temperature	Working temperature: 0 °C to 50 °C (32 °F to 122 °F) Storage temperature: -30 °C to 70 °C (-22 °F to 158 °F)
Humidity	20% to 80% RH, non-condensing
General	
Client software	MVS or third-party software meeting with USB3 Vision Protocol
Operating system	32/64-bit Windows XP/7/10 and 32/64-bit Linux
Compatibility	USB3 Vision, GenICam
Certifications	CE, RoHS, KC

HIKROBOT

Hangzhou Hikrobot Co., Ltd.
en.hikrobotics.com

© Hangzhou Hikrobot Co., Ltd. All Rights Reserved.

Hangzhou Hikrobot does not tolerate any infringement. Any organization or individual may not imitate or reproduce in whole or in part of the content. The data herein is based on Hikrobot's internal evaluation. Actual data may vary depending on specific configuration and operating condition. The information herein is subject to change without notice. All the content has been checked conscientiously. Nevertheless, Hikrobot shall not be liable to damages resulting from errors, inconsistencies or omissions.



Aremak Bilişim Teknolojileri
Endüstriyel Görüntü İşleme Çözümleri

Adres: ODTÜ Teknokent Bilişim ve İnovasyon Merkezi,
Mustafa Kemal Mahallesi, Dumlupınar Bulvarı No:280G,
İç Kapı No:1260, Çankaya, Ankara/Türkiye

W: www.aremak.com.tr
E: shop@aremak.com.tr
T: +908502551506