

## MV-CH120-60GM/GC

12 MP 1.1" CMOS GigE Area Scan Camera



GEN*i*CAM

GIG*E*  
VISION

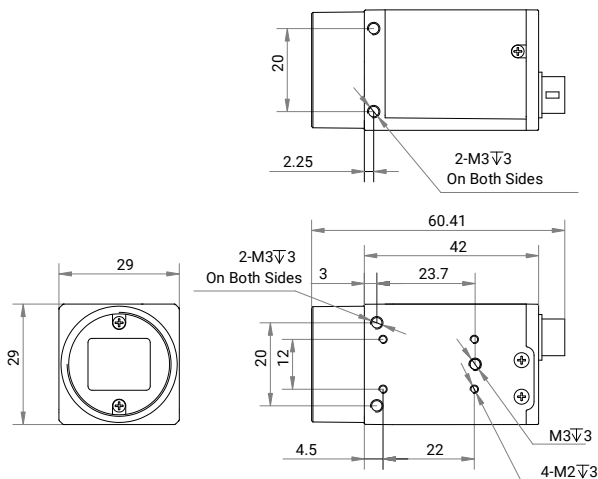
### Introduction

MV-CH120-60GM/GC camera adopts CMOS sensor to provide high-quality images. It uses GigE interface to transmit non-compressed images in real time, and its max. frame rate can reach 9.5 fps in full resolution.

### Key Feature

- Compact design with mounting holes on panels for flexible mounting from 4 sides.
- Supports auto or manual adjustment of gain and exposure time, and LUT and Gamma correction function.
- Supports LSC, Sequencer, passive transmission, etc.
- Supports functions like white balance, CCM, Super Palette, and Super Bayer to provide high-quality images.
- Compatible with GigE Vision V2.0 Protocol, GenICam Standard, and third-party software based on the protocol and standard.

### Dimension



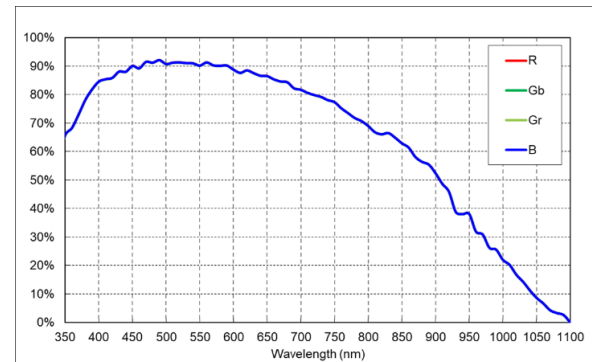
### Available Model

- Mono camera: MV-CH120-60GM
- Color camera: MV-CH120-60GC

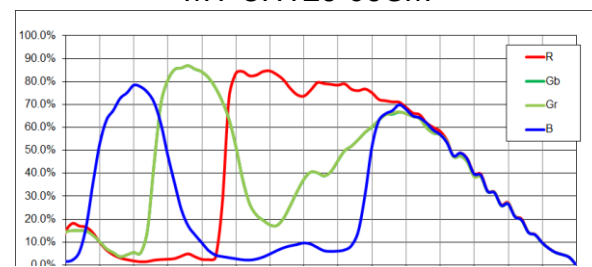
### Applicable Industry

Electronic semiconductor, factory automation, logistics code reading, medicine packing, etc.

### Sensor Quantum Efficiency



MV-CH120-60GM



Aremaç Biliřim Teknolojileri  
Endüstriyel Görüntü İřleme Çözümleri

Adres: ODTÜ Teknokent Biliřim ve İnovasyon Merkezi,  
Mustafa Kemal Mahallesi, Dumlupınar Bulvarı No:280G,  
İç Kapı No:1260, Çankaya, Ankara/Türkiye

W: www.aremak.com.tr  
E: shop@aremak.com.tr  
T: +908502551506

Model	MV-CH120-60GM	MV-CH120-60GC
<b>Performance</b>		
Sensor type	CMOS, global shutter	
Sensor model	Stacked BSI	
Pixel size	3.45 $\mu\text{m}$ $\times$ 3.45 $\mu\text{m}$	
Sensor size	1.1"	
Resolution	4096 $\times$ 3000	
Max. frame rate	9.5 fps @ 4096 $\times$ 3000 Mono 8	9.5 fps @ 4096 $\times$ 3000 Bayer GB 8
Dynamic range	67.2 dB	
SNR	44.1 dB	
Gain	0 dB to 12 dB	
Exposure time	45 $\mu\text{s}$ to 10 sec	
Exposure mode	Off/Once/Continuous exposure mode, supports TriggerWidth	
Mono/color	Mono	Color
Pixel format	Mono 8/10/10Packed/12/12Packed	Mono 8/10/12 Bayer GB 8/10/10Packed/12/12Packed, YUV422Packed, YUV422_YUYV_Packed, RGB 8, BGR 8
Binning	Supports 1 $\times$ 1, 2 $\times$ 2, 4 $\times$ 4	
Decimation	Supports 1 $\times$ 1, 2 $\times$ 2, 4 $\times$ 4	
Reverse image	Supports horizontal and vertical reverse image output	
<b>Electrical feature</b>		
Data interface	Gigabit Ethernet (1000 Mbit/s), compatible with Fast Ethernet (100 Mbit/s)	
Digital I/O	6-pin P7 connector provides power and I/O, including opto-isolated input $\times$ 1 (Line 0), opto-isolated output $\times$ 1 (Line 1), bi-directional non-isolated I/O $\times$ 1 (Line 2).	
Power supply	9 VDC to 24 VDC, supports PoE	
Power consumption	Typ. 2.1 W @12 VDC	Typ. 2.2 W @12 VDC
<b>Mechanical</b>		
Lens mount	C-mount	
Dimension (without lens)	29 mm $\times$ 29 mm $\times$ 42 mm (1.1" $\times$ 1.1" $\times$ 1.7")	
Weight	Approx. 100 g (0.2 lb.)	
Ingress protection	IP40 (under proper lens installation and wiring)	
Temperature	Working temperature: -10 $^{\circ}\text{C}$ to 50 $^{\circ}\text{C}$ (14 $^{\circ}\text{F}$ to 122 $^{\circ}\text{F}$ ) Storage temperature: -30 $^{\circ}\text{C}$ to 80 $^{\circ}\text{C}$ (-22 $^{\circ}\text{F}$ to 176 $^{\circ}\text{F}$ )	
Humidity	20% RH to 95% RH, no condensation	
<b>General</b>		
Client software	MVS or third-party software meeting with GigE Vision Protocol	
Operating system	32/64-bit Windows XP/7/10/11, 32/64-bit Linux and 64-bit MacOS	
Compatibility	GigE Vision V2.0, GenICam	
Certification	CE, RoHS, KC	

